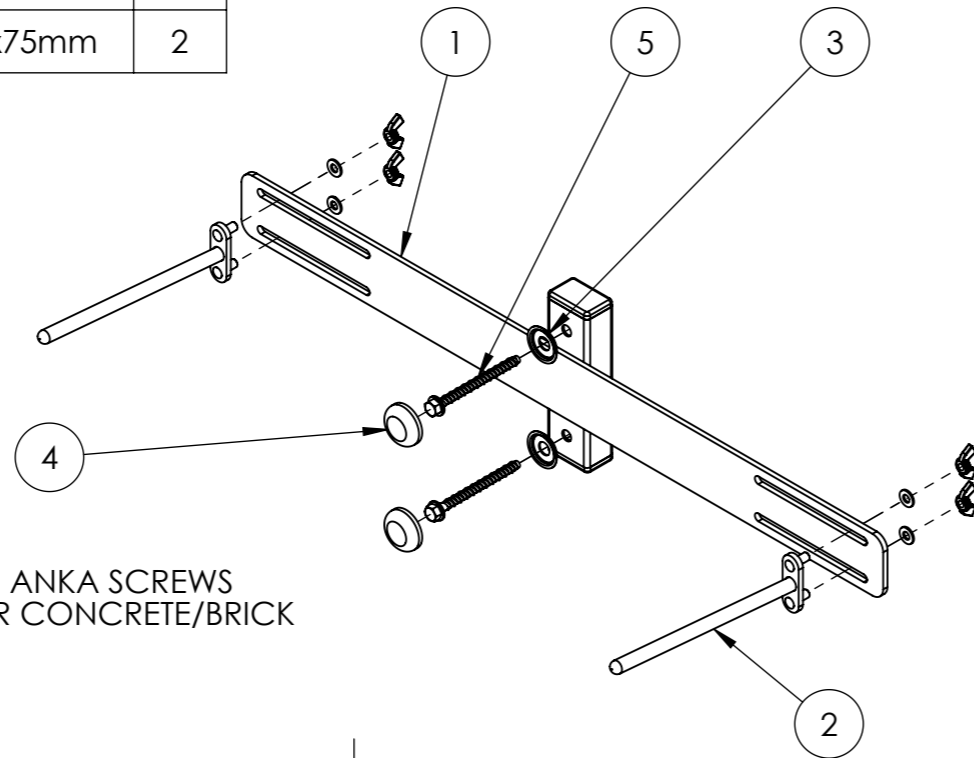
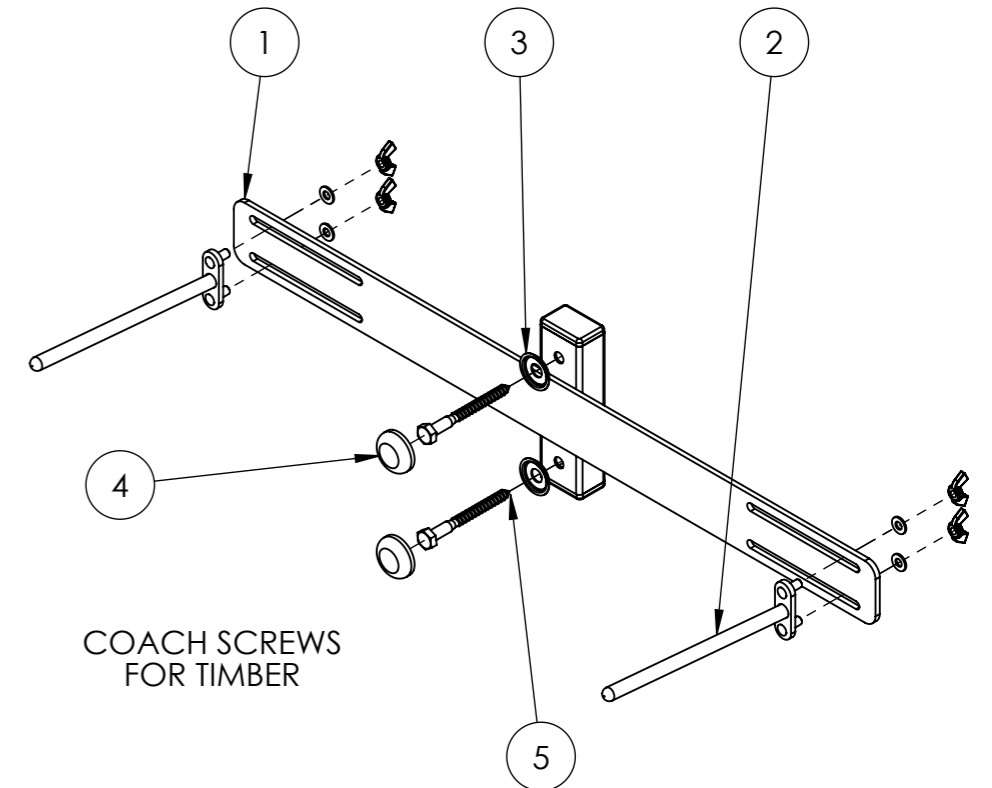


ITEM NO.	PART NUMBER	QTY.
1	40241 Wall Mounted Mat Storage	1
2	40242 Adjustable Mat Hook	2
3	10201 RHW-205 Flanged Washer	2
4	10202 Plastic RH20 Bolt Caps	2
5	10562 Screw Anka Hex Zinc Plated 6x75mm	2

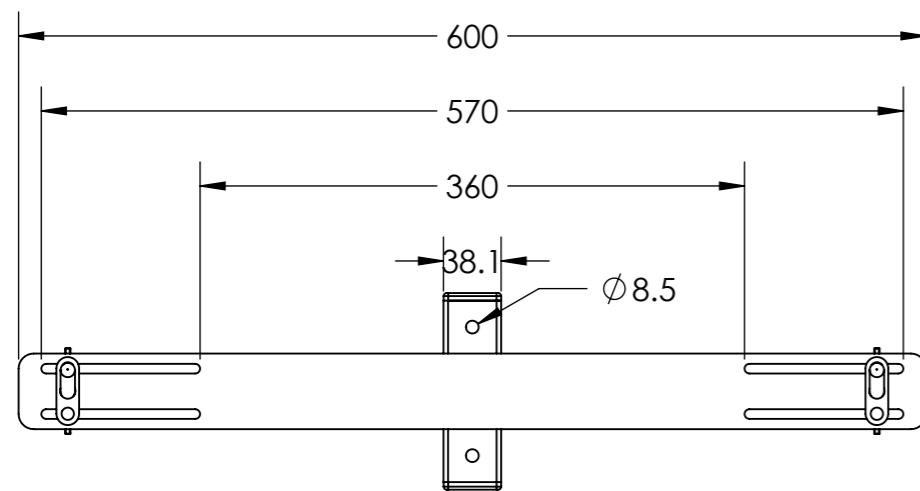
It is the purchaser's responsibility to ensure that the structure being fixed to is suitable for the application. Specialist hardware may be required for alternate applications.



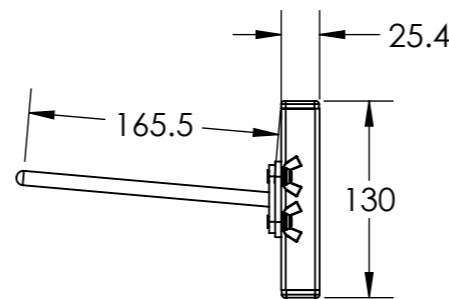
ANKA SCREWS
FOR CONCRETE/BRICK



COACH SCREWS
FOR TIMBER



FRONT



SIDE

ITEM NO.	PART NUMBER	QTY.
1	40241 Wall Mounted Mat Storage	1
2	40242 Adjustable Mat Hook	2
3	10201 RHW-205 Flanged Washer	2
4	10202 Plastic RH20 Bolt Caps	2
5	10561 Screw Coach Zinc Plated M8x75mm	2

RECOMMENDED PILOT HOLE SIZE FOR
SCREWS IS 6MM



Process Specific Tolerances Laser Sheet ±0.25 Laser RHS ±0.3 Machined ±0.2 Saw Cut +0/-2 General Fabrication ±0.5	GENERAL TOLERANCE UNLESS SPECIFIED ISO 2768 - MK LINEAR DIMENSIONS 0.5<t<3 ±0.1 3<t<6 ±0.1 6<t<30 ±0.2 30<t<120 ±0.3 120<t<400 ±0.5 400<t<1000 ±0.8 1000<t<2000 ±1.2 ANGULAR DIMENSIONS t<10 ±1° 10<t<50 ±3° 50<t<120 ±2° 120<t<400 ±10° 400<t ±5°	UNLESS OTHERWISE SPECIFIED: DIMENSIONS ARE IN MILLIMETRES		DO NOT SCALE DRAWING		THIRD ANGLE PROJECTION 	DESCRIPTION: Wall Mounted Mat Storage with Hooks
		NAME	DATE	Material: Assm			
		DRFTD		Weight: 1.3kg			PRODUCT ID: 60204
		DRAWN		Finish: Mannex Black Powdercoat			
		CHK'D		MAX QTY PER PALLET:			SCALE:1:5
		APPV'D					
		CURRENT REVISION: 1	DATE CREATED: Thursday, 26 May 2022		DEBUR AND BREAK SHARP EDGES		SHEET 1 OF 1
							A3